

- MAGNETIC PRINCIPLE MEASUREMENT
- ABSOLUTE MEASUREMENT
- SHAFT OR SEMI HOLLOW SHAFT
- 58 MM BODY DIAMETER
- 6MM, 8MM, 10MMM SHAFT OR SHAFT HOLE DIAMETERS
- MULTI-TURN OF 0.02 ° SENSITIVITY
- ABSOLUTE OUTPUT: CANOPEN
- IP67 PROTECTION CLASS



## 1. TECHNICAL SPECIFICATIONS

### GENERAL SPECIFICATIONS

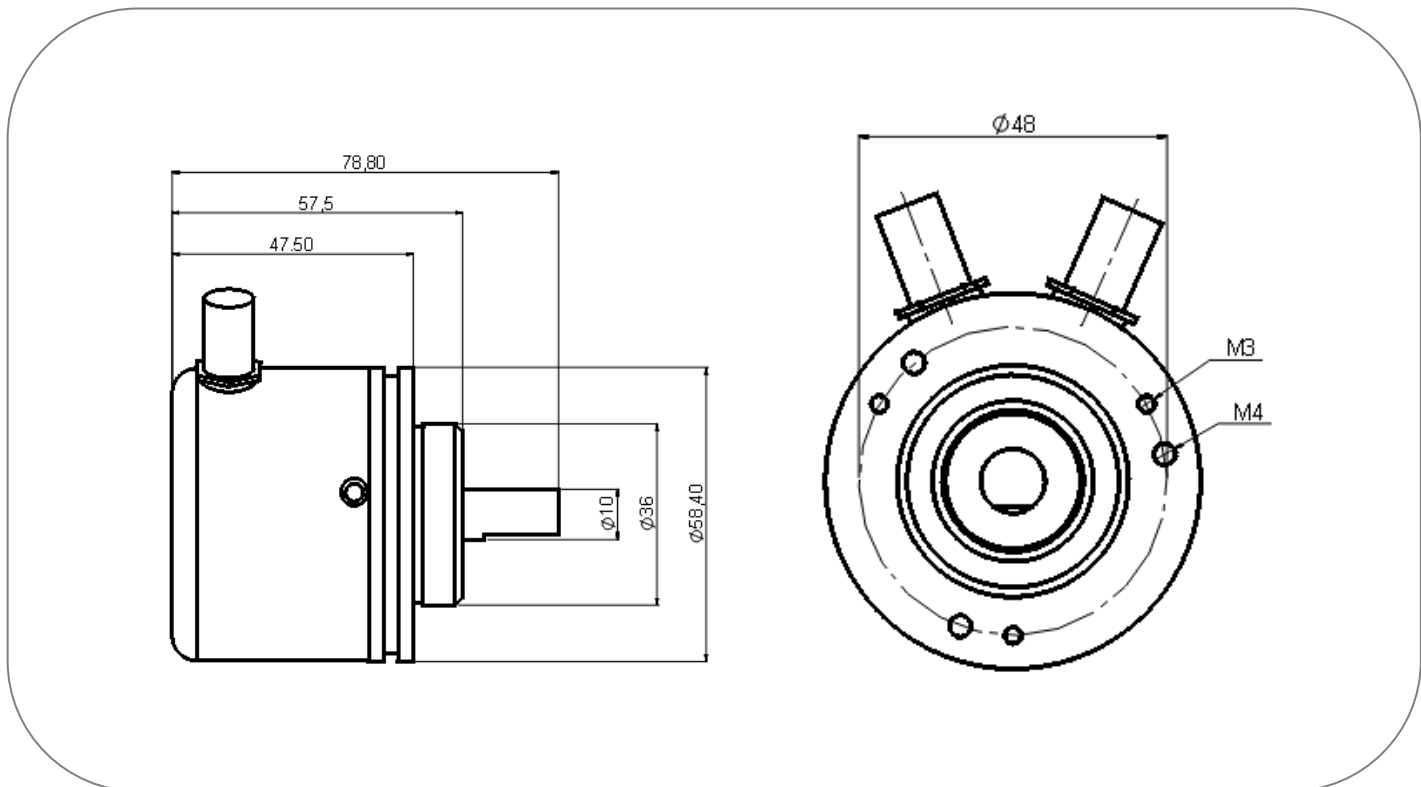
Supply voltage	15...30VDC
Supply Current	60 mA
Output	CANopen
Accuracy	±0,5°
Resolution	1..14 bits can be selected in singleturn. 1.31 bit can be selected in multiturn. singleturn + multiturn <= 31 bits.
Sampling Frequency	500 Hz.
Protection Class	IP 67
Relative humidity	%10 to %90
Operating temperature	-20...+70 °C
Electrical Connection	In CANopen models, M12 5 pin (male) and M12 5 pin (female)
Body	Aluminum
Weight	290 gram
Body Diameter	58mm
Shaft Diameters	6 mm, 8 mm, 10 mm

# CANopen SPECIFICATION

Communication Profile	CiA 301
Device Type	CANopen, CiA DS406
ID (Node ID)	It can be set from 1 to 127 with LSS or SDO.
Baud Rate	10 kBit/s, 20 kBit/s, 50 kBit/s, 100 kBit/s, 125 kBit/s, 250 kBit/s, 500 kBit/s, 800 kBit/s, 1 Mbit/s
PDO Data Rate	100 ms
Error Control	Heartbeat, Emergency Message
PDO	3 Tx PDO
PDO Modes	Event/Time triggered, Synch/Asynch
SDO	1 server
Position Information	Object Dictionary 0x6020
Termination Resistance	Optional

## 2. CONNECTIONS

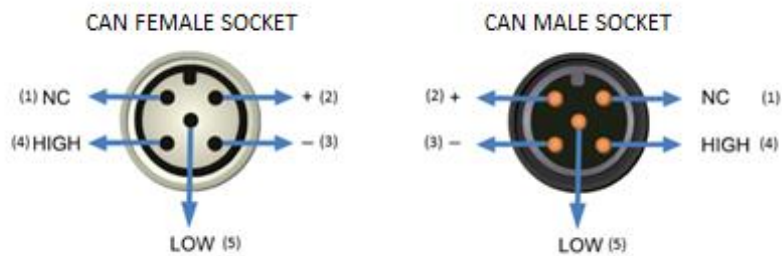
### 2.1 Dimensions



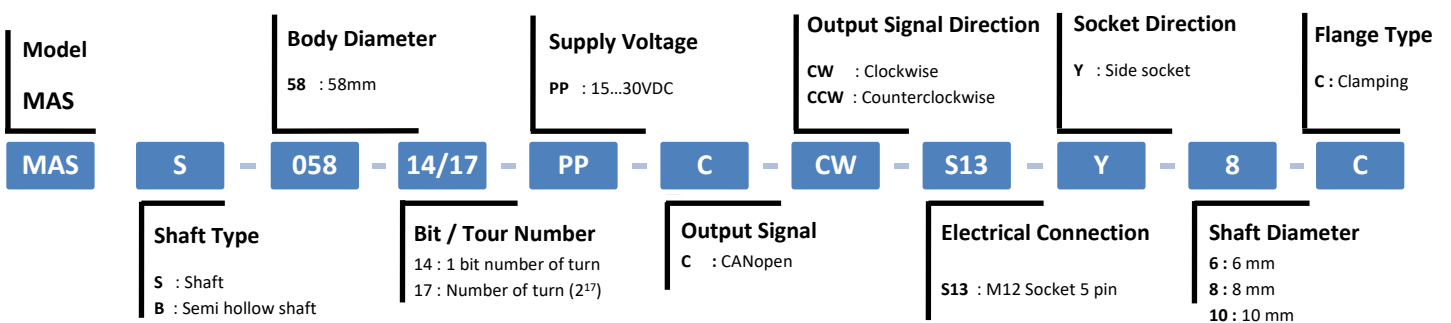
## 2.2 Electrical Connection

### CANopen

Terminal	M12 Socket	Cable
CAN_SHIELD	Pin 1	Braid
U+ (12..30VDC)	Pin 2	Red
GND (0V)	Pin 3	Black
CAN_H	Pin 4	Yellow
CAN_L	Pin 5	Green



### ORDER CODING



### Atek Sensor Technology A.S.



Tuzla KOSB Organize Sanayi Bolgesi Melek Aras Bulvari, No:67 34956 Tuzla-Istanbul / TURKEY

Tel: +90 216 399 44 04

Fax: +90 216 399 44 02

[www.ateksensor.com](http://www.ateksensor.com)

[info@ateksensor.com](mailto:info@ateksensor.com)